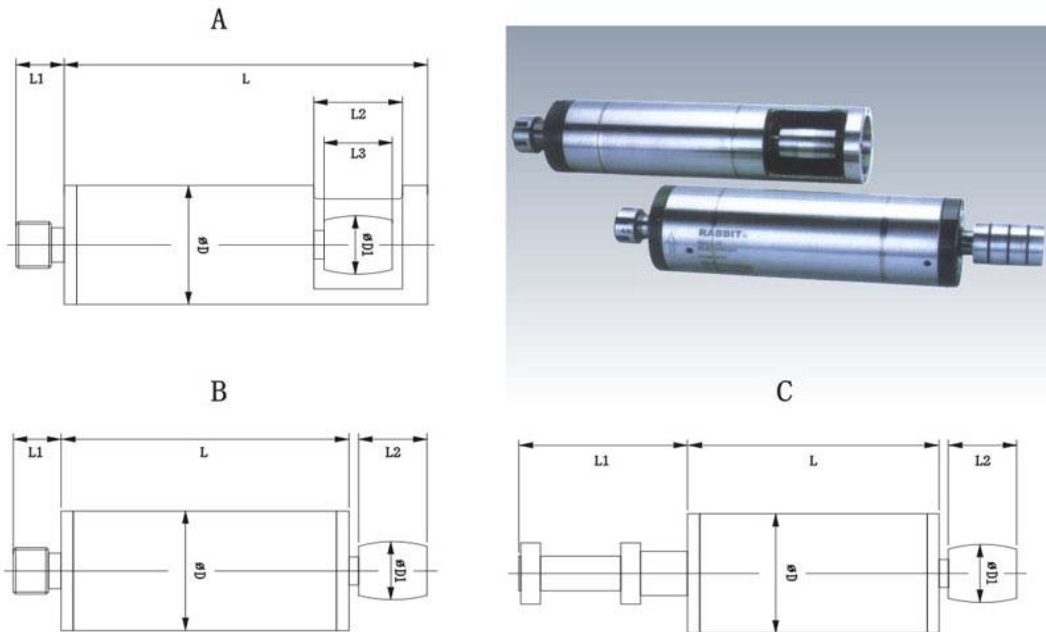


The Strop Spindles for Woodworking Carver and Miller



Spindle type	Speed (r/min)	Physical dimensions(mm)						Drawing number	Joint of spindle nose	Bearings type
		D	D1	L	L1	L2	L3			
MX507	16000	80	44	310	65	75	54	A	ER25	2x7205C
MX08-25	20000	80	38	250	35	55	----	B	ER20	2x7205C
MX08-25A	20000	80	38	250	30	55	----	B	ER25	2x7205C
MX10-34	10000	100	72	340	219	70	----	C	----	2x7208C
MX11-33	7600	110	85	298	186	66	----	C	----	2x7209C
MX11-44	7000	110	60	280	96	60	----	B	----	2x7209C/P4 1x6007vv/P5

Contact Us:

Anyang General International Co.,Ltd

Add: Suite A, 4/F Jinhao Business Bld., Renmin Rd., Anyang, Henan, P.R.C.

Zip Code: 455000

Tel: (86) 372 5965148

Fax: (86) 372 5951936

[Http://www.gcmachines.com](http://www.gcmachines.com)

E-mail: info@agico.com.cn